

Vacuum Contactor

VC3600 Series

	200A	400A	600A	1000A
1.5kV	VC3/200/1500-XXX	VC3/400/1500-XXX	VC3/600/1500-XXX	VC3/1000/1500-XXX
3.6kV	VC3/200/3600-XXX	VC3/400/3600-XXX	VC3/600/3600-XXX	VC3/1000/3600-XXX

Control Ratings

	200A	400A	600A	1000A
Rated Operational Current	200A	400A	600A	1000A
Closing Power VA/Duration	950VA		1900VA	2850VA
Holding Power	9VA		18VA	27VA
Rated Control Voltage	120/240V AC 50/60Hz			
Allowable Fluctuation	-25%Ue ~ +10%Ue			
Picking Up Voltage	75%Ue or less			
Drop Out Voltage	65%Ue or less			
Opening Time Ave.	≤150mS			
Closing Time Ave.	≤30mS			

Electrical data

	200A	400A	600A	1000A
Rated Operational Current	200A	400A	600A	1000A
Rated Frequency	50/60Hz			
Withstand Voltage	18kV--1Min.			
Impulse B.I.L	45kV @ 1.2x50µS			
Making Current	2000A	4000A	6000A	6000A
Breaking Current	2000A	4000A	6000A	6000A
Interrupting Current	5000A	5000A	6000A	6000A
Short Time Current	1Sec. 7000A	7000A	9000A	11000A
	15Sec. 2400A	2400A	3000A	6000A
Switching Frequency	600/hr			
Electrical Life At Rated Current – AC3 Duty	1×10 ⁶			
Mechanical Life	2×10 ⁶			
Chop Current	Min.	.55A		
	Max.	.9A		

Application Conditions

Ambient	Storage	-65°F(-54°C) ~ +160°F(71°C)		
	Operating	-40°F(-40°C) ~ +135°F(57°C)		
Vibration/Shock		40Hz, -2G ~ 30G		
Weight		12.5lbs	25lbs.	37.5lbs.
		5.67kgs	11.34kgs	17.01kgs
Coil Voltage Table	Voltage		Dash Number	
		120	✓	-120
		240	✓	-240



Motor HP

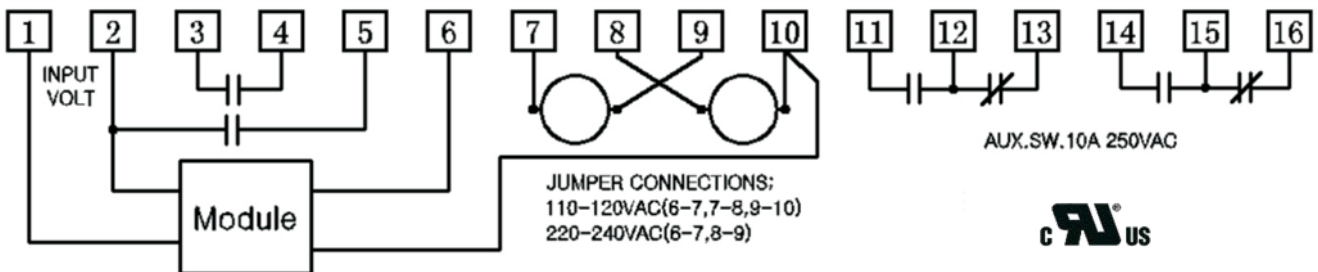
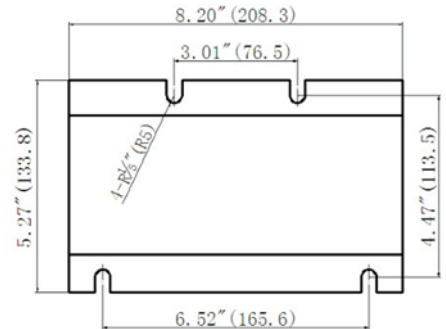
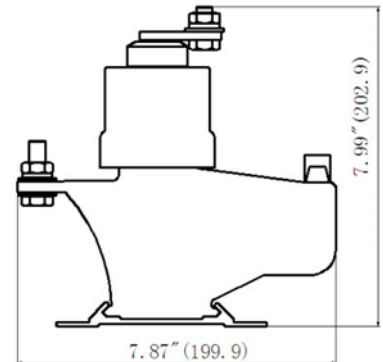
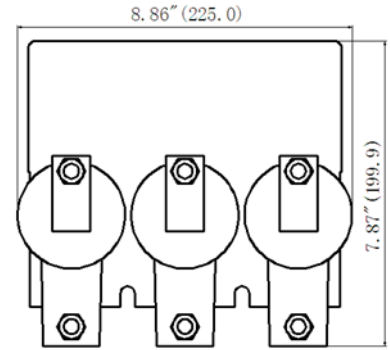
Volts	160A	320A	600A	1000A
230	60	125	200	-----
460	125	250	500	-----
1000	300	600	1200	-----
1500	420	850	1600	-----
2300	600	1250	2400	-----
3300	960	1920	3700	-----

Transformer Load (KVA)

Volts	160A	320A	600A	1000A
230	66	133	250	415
460	127	255	500	746
1000	277	554	1000	1730
1500	415	850	1500	2600
2300	665	1330	2500	4150
3300	910	1820	3400	5700

Capacitor Load(KVAR)

Volts	160A	320A	600A	1000A
230	50	100	180	310
460	95	190	360	595
1000	205	415	750	1300
1500	310	620	1125	1450
2300	500	1000	1875	3110
3300	700	1365	2550	4275



Vacuum Contactor

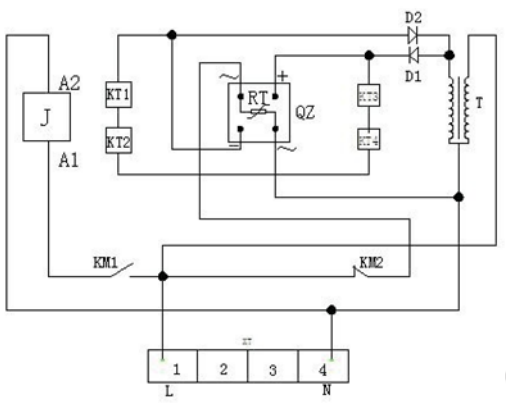
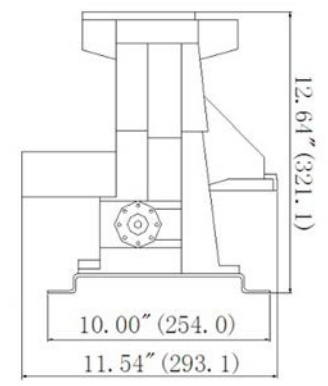
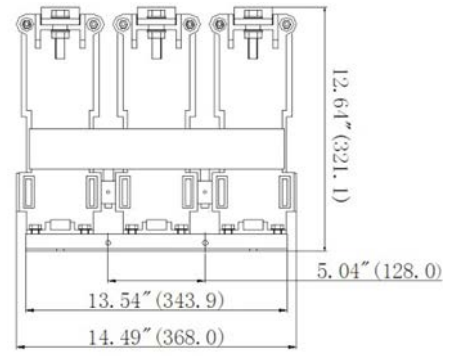
VC7200 Series

	200A	400A	600A	800A	1200A
2.5kV	VC3/200/2500-XXX	VC3/400/2500-XXX	VC3/600/2500-XXX	VC3/800/2500-XXX	VC3/1200/2500-XXX
5kV	VC3/200/5000-XXX	VC3/400/5000-XXX	VC3/600/5000-XXX	VC3/800/5000-XXX	VC3/1200/5000-XXX
7.2kV	VC3/200/7200-XXX	VC3/400/7200-XXX	VC3/600/7200-XXX	VC3/800/7200-XXX	VC3/1200/7200-XXX

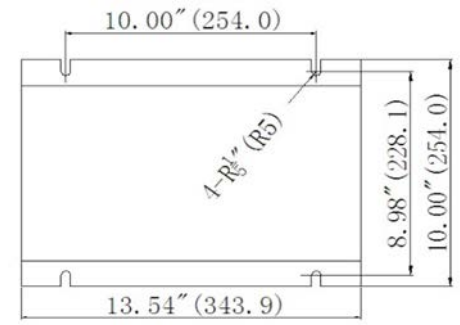
Control Ratings						
Closing Power VA/Duration		650VA		1300VA		
Holding Power		7VA		48VA		
Rated Control Voltage		120/240V AC		120/240V AC		
Allowable Fluctuation		-15%Ue ~ +10%Ue		-20%Ue ~ +10%Ue		
Picking Up Voltage		85%Ue or less		80%Ue or less		
Drop Out Voltage		65%Ue or less				
Opening Time Ave.		≤150mS				
Closing Time Ave.		≤70mS				
Electrical data						
Rated Operational Current		200A	400A	600A	800A/1200A	
Rated Frequency		50/60Hz				
Withstand Voltage		28kV--1Min.				
Interrupt Rating	2.5kV	4.62kA (20MVA)				
	5.0kV	4.62kA (40MVA)				
	7.2kV	4.81kA (60MVA)				
Short Time Current	1S	6KA	7KA	9KA	12KA	
	5S	4KA	5KA	6KA	9KA	
	15S	2KA	2.6KA	3KA	6KA	
Impulse B.I.L		60kV @ 1.2x50µS				
Standard Auxiliary Contact Ratings						
Current	Cont. AC	10A		DC 5A		
	Voltage	600V Max 48V		600V Max 48V		
		Min. NEMA A600(AC)		Min. NEMA P600(DC)		
Making		7200VA		138VA		
	Breaking	720VA		138VA		
	Current	Cont. AC 10A		DC 2.5A		
Additional Auxiliary Contact relay Ratings	Voltage	600V Max 48V		600V Max 48V		
		Min. NEMA A600(AC)		Min. NEMA Q300(DC)		
	Making	7200VA		69VA		
Breaking	720VA		69VA			
Interrupting Current		5000A	5000A	6000A	6000A	
Short Time Current	1Sec.	7000A	7000A	9000A	11000A	
Current	15Sec.	2400A	2400A	3000A	6000A	
Switching Frequency		600/hr				
Electrical Life At Rated Current – AC3 Duty		.6x10 ⁶	.4x10 ⁶	.25x10 ⁶	.25x10 ⁶	
Mechanical Life		.75x10 ⁶				
Chopping Current	Min.	.55A				
	Max.	.9A				
Application Conditions						
Ambient	Storage	-65°F(-54°C) ~ +160°F(71°C)				
	Operating	-40°F(-40°C) ~ +135°F(57°C)				
Vibration/Shock		40Hz, -2G ~ 30G				
Weight		48lbs		96lbs		
		21.77kgs		43.54kgs		
Coil Voltage Table						
Voltage	AC	Dash		DC		
			Number		Number	
	120	✓	-120	125	✓	-125
	240	✓	-240	250	✓	-250



Motor Type	Current	Motor HP	Motor HP	Motor HP	Motor HP
.8 P.F.Ind. Or Syn Motor	200A	900	1250	1500	2500
1.0 P.F.Syn Motor	200A	1000	1500	1750	2750
.8 P.F.Ind. Or Syn Motor	400A	1750	2250	3000	5000
1.0 P.F.Syn Motor	400A	2000	2500	3500	2520
.8 P.F.Ind. Or Syn Motor	600A	2250	3250	4500	6750
1.0 P.F.Syn Motor	600A	2250	3500	4750	7000
.8 P.F.Ind. Or Syn Motor	800A	2750	4000	5500	8000
Capacitor Load KVAR					
	200A	750	1000	1500	2000
	400A	1500	2000	3000	4000
Three Phase Capacitor	600A	2500	3000	4250	6000
	800A	2750	3750	5250	7500
	1200A	4100	5000	7000	10000
Transformer Load KVAR					
	200A	750	1000	1500	2000
	400A	1500	2000	3000	4000
Three Phase Transformer	600A	2500	3000	4250	6000
	800A	2750	3750	5250	7500
	1200A	4100	5000	7000	10000



- Remarks:
- 1:J-Intermediate Contacts
 - 2:KT-Coil
 - 3:KM-Switch
 - 4:XT-Four Terminal Block
 - 5:RT-Thermistor
 - 6:QZ-Rectifier
 - 7:D-Diode
 - 8:T-Transformer



Circuit Assembly

