



## Applications

- Single phase .1
- VFD .2
- Servo Drives .3
- Instruments .4

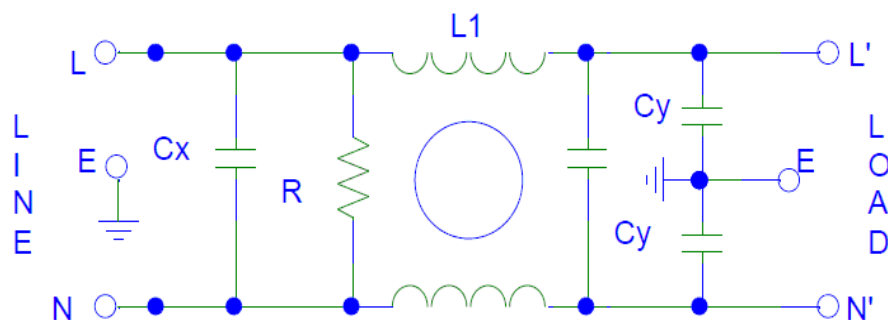
## Description

Designed specifically for variable frequency drive applications. This series of common mode filters offers a general purpose cost effective solutions to main borne interface.

## Technical Specification

Part No.	Rated Current (Amps)	Leakage Current 250V 50Hz (mA)	Case	Termination
MF 420VF – 03	3A	<5mA	H	Fastons/Cable
MF 420VF – 06	6A	<5mA	H	Fastons/Cable
MF 420VF – 10	10A	<5mA	H	Fastons/Cable
MF 420VF – 15	15A	<5mA	K	M5Screw/Cable
MF 420VF – 20	20A	<5mA	K	M5Screw/Cable
MF 420VF – 40	40A	<5mA	SX	M5Screw/Cable

## Circuit Diagram

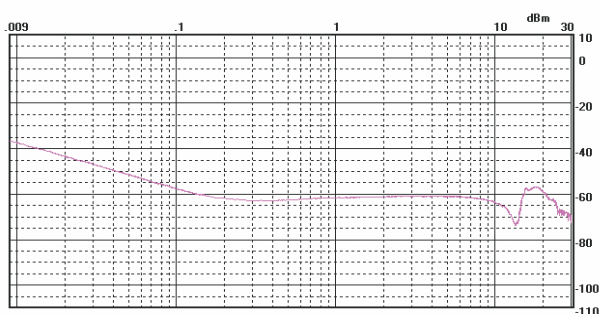


# Technical Specification

<b>Maximum Continuous Operating Voltage</b>	<b>: 250VAC</b>
<b>Operating Frequency</b>	<b>: 50/60Hz</b>
<b>Rated Currents</b>	<b>: 3A to 40 A</b>
<b>High Potential test voltage</b>	<b>: P to E 1500VAC, P to N 1414VDC</b>
<b>Overload Capability</b>	<b>: 6 x Rated current for 8 sec</b>
<b>Temperature Range</b>	<b>: -25 °C to 85 °c</b>

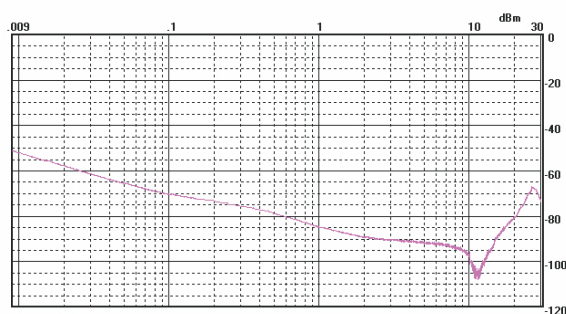
## Insertion loss

3A



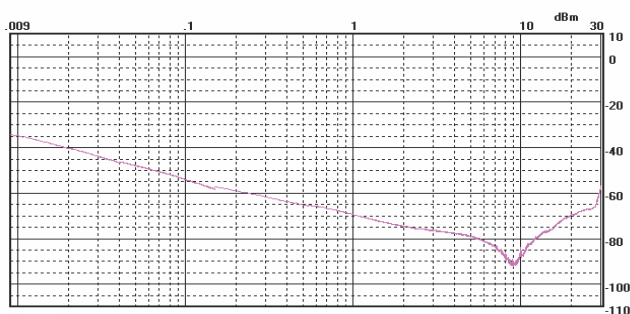
Detector: Peak  
MF 420 VF 3A

6A



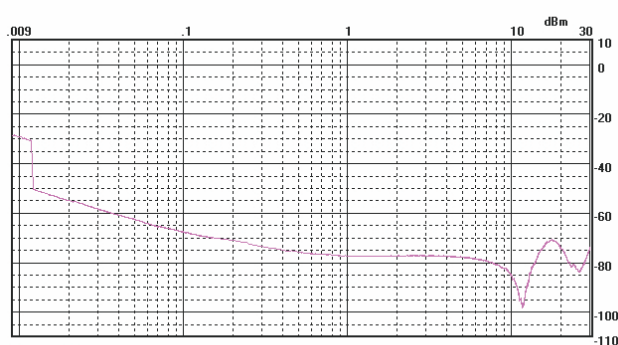
Detector: Peak  
MF 420 VF 6A

10A



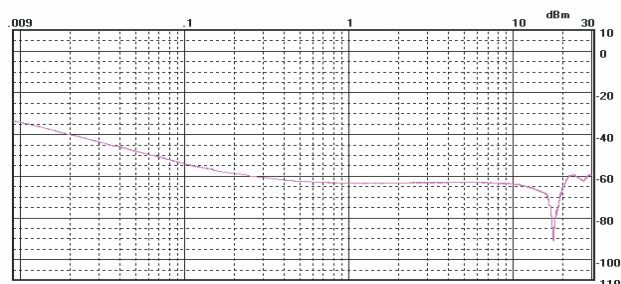
Detector: Peak  
MF 420 VF 10A

15A



Detector: Peak

20A



Detector: Peak  
MF 420 VF 20A